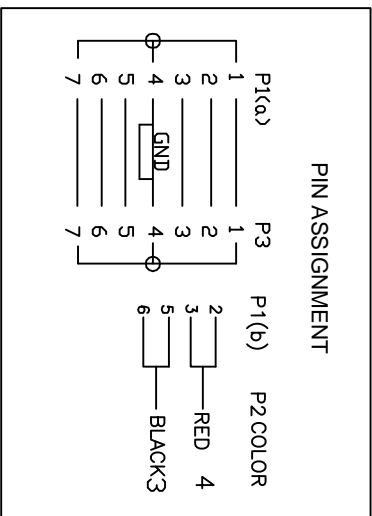


ELECTRONIC TEST:
 1. ALL CABLE 100% TEST, OPEN, SHORT, MISS WIRE
 2. RESISTANCE: 3 ohm max
 3. RESISTANCE: 10M ohm min
 4. HI-POT: 300V DC/10ms
 5. DIMENSIONS MARK "▼" SHOULD BE CHECKED;



⑧	CONTRACT	SM CONTRACT NI FLESH FEMALE	2	Pcs
⑦	MOLDING	SM POWER-4P FEMALE ,WHITE	1	Pcs
⑥	OVER MOLDING	45P PVC BLACK	AR	KG
⑤	INNER MOLDING	LD PE	AR	KG
④	HOOK UP WIRE	UL1007 22AWG BLACK&RED	120	mm
③	SATA CABLE	UL 21149(2725) 8C Sata7p Cable 26AWG COLOR:RED OD:2.2*7.8mm	275	mm
②	SATA CONN	S-ATA7P 7C BLACK MOLDING 1U"	1	Pcs
①	SATA CONN	SLIMLINE SATA 13P ,BLACK MOLDING G/F	1	Pcs
NO.	PART NO.	DESCRIPTION	Q'TY	UNIT

項目	變更內容	日期	坤紀企業股份有限公司 COMPONENT USER INDUSTRY CO., LTD			
①			繪圖者	一般公差	NOVE	圖名
②			BRAY BY	X.X±0.3		DESCRIPTION
③			CHECK BY	UNIT		圖號
			核准者	mm	D: \	DWG. NO
			APPROVED BY	單位		BDM, NO
			日期	備位		頁數
			2008.4.08	CHP (KND)		1/1
						版次
						REV (KND)
						2.0

QP-F-01-8